

RESERVE BY
AUGUST 31, 2018 FOR AN
EARLY BOOKING INCENTIVE
OF \$1,000 PER PERSON



THE ROYAL OAK FOUNDATION

Americans in Alliance with the National Trust of England, Wales and Northern Ireland



Crossroads of Cultures

Canary Islands, Morocco & Iberia Aboard *Sea Spirit*

April 5–18, 2019

CRUISE HIGHLIGHTS

DISCUSS historic preservation with an expert in the Canary Islands

MEET museum directors and curators on exclusive visits to collections in Casablanca and Rabat

GO inside the Dar El Bacha Museum, the former home of the last pasha of Marrakesh and normally closed to the public

DISCOVER delightful gardens with Patrick Bowe — Irish landscape designer, architectural historian, and much-loved lecturer and travel companion

SAIL through the legendary Strait of Gibraltar

EXPERIENCE Andalusian Spain and the Portuguese Algarve





THE ROYAL OAK FOUNDATION

Americans in Alliance with the National Trust of England, Wales and Northern Ireland

Dear Royal Oak Foundation Members and Friends,

The fortunes and histories of the Iberian peninsula, Northern Africa, and the Canary Islands have been intertwined for centuries. On a sea expedition from the Canaries to Morocco, Spain, and Portugal, discover how these vastly different cultures have merged and diverged over centuries. Aboard the intimate *Sea Spirit*, explore fascinating locations and deepen your understanding of this complex and compelling region.

We are pleased to be joined by Patrick Bowe, Dublin-based horticulturist and author of *Gardens of Portugal and Gardens of the Roman World*, as well as many other books about gardens near and far. Bowe has been a favorite among Royal Oak travelers on past trips and he will enrich our voyage with his in-depth knowledge and delightful wit.

On the Canary island of Tenerife, admire fine Spanish Colonial buildings and discuss their preservation with an expert. Then board *Sea Spirit* to sail to Gran Canaria, to discover the Bauhaus homes of Las Palmas and enjoy a choir performance. In Arrecife, follow in the footsteps of a beloved local artist and environmentalist as you explore the volcanic park of Timanfaya. On Portuguese Madeira, wander the streets of historic Funchal and enjoy a glass of the island's eponymous wine.

In Morocco, discover the home of the last pasha of Marrakesh, now a museum, and meet with the director of the Jewish Museum in Casablanca. Sail through the Strait of Gibraltar to land on the rock itself. Visit St Michael's Cave, the Gibraltar Museum, and the nature reserve that is home to the region's famous tailless monkeys.

From Spain's Cádiz, journey to Seville, with its spectacular Spanish-Moorish architecture, and go underground to admire the Goya frescoes adorning an 18th-century church. Once ashore in Portugal, visit Sagres and Lagos before disembarking in Lisbon. All along the way, relax in the congenial company of fellow Royal Oak members as well as members of The Metropolitan Museum of Art, the National Trust for Historic Preservation, and the alumni associations of Miss Porter's School and Johns Hopkins and Harvard universities.

An optional postlude in Lisbon is available to further explore this captivating city, home to historic monasteries and museums as well as the Alfama Quarter, the city's oldest neighborhood and the birthplace of *fado*.

I hope you will join the Royal Oak Foundation for this cultural voyage to some less-visited places.

Sincerely,

David Nathans

Executive Director & CEO

Royal Oak Foundation

Crossroads of Cultures

Canary Islands, Morocco & Iberia Aboard *Sea Spirit*

April 5–18, 2019

FRIDAY, APRIL 5: DEPARTURE

Depart on an overnight flight to Tenerife.

SATURDAY, APRIL 6: TENERIFE, CANARY ISLANDS, SPAIN

Arrive in Tenerife and visit the UNESCO-listed historic quarter of La Laguna, known for its perfectly preserved mansions, town hall, and cathedral. Later, check in at the Hotel Botánico. Our welcome dinner is at the hotel. D

SUNDAY, APRIL 7: TENERIFE, CANARY ISLANDS, SPAIN

Drive through pine forests to the foothills of the Teide National Park. Garden enthusiasts may visit the Botanical Garden and the Sitio Litre Orchid Garden, the oldest on the island. Or take a walking tour through the cobblestone streets of La Orotava, to admire its 17th-century heritage buildings and the Church of Our Lady of Conception, one of the finest examples of Baroque architecture in the Canaries. Meet a local expert for a talk about the challenges of preserving these homes, then transfer to the port to embark the awaiting *Sea Spirit*. B,L,D

MONDAY, APRIL 8: LAS PALMAS DE GRAN CANARIA

Devote the day to the capital city of Las Palmas de Gran Canaria, famed as the last stop by Columbus before leaving for the Americas. On an architectural tour of the Old Town, see the eclectic Teatro Pérez Galdós on a private visit. We will also explore the Christopher Columbus Church and House Museum, the 19th-century Town Hall, and the landmark cathedral. Then drive to the Ciudad Jardin neighborhood to admire its Modernist and Bauhaus residences from the 1930s. Pending confirmation, we will be welcomed by the mayor. Enjoy a choral performance at the Alfredo Kraus Auditorium, dedicated to a native son who was one of the world's great tenors. The captain's welcome reception and dinner are tonight. B,L,R,D

TUESDAY, APRIL 9: ARRECIFE, LANZAROTE

Step ashore this morning in the port city of Arrecife and continue to the volcanic park of Timanfaya, a UNESCO Biosphere Reserve in the southwestern part of the island. Admire the park's raw lunar landscapes and dramatic panoramic vistas on a route originally defined by artist, architect, and environmental activist César Manrique, a local legend. See Manrique's landscape projects and the impressive studio-home, garden, and extensive art collection of the César Manrique Foundation, built on an old lava flow. Lunch is near the island's wineries at Casa Museo del Campesino, also designed by Manrique. Then visit Los Jameos del Agua, a series of lava caves containing an artists' workshop and gallery. This evening, return to the ship and cruise to the port of Funchal. B,L,D

WEDNESDAY, APRIL 10: AT SEA

Attend lectures and enjoy the amenities of *Sea Spirit* as she cruises to Madeira. B,L,D

THURSDAY, APRIL 11: FUNCHAL, MADEIRA, PORTUGAL

On a morning walking tour, discover the narrow streets of Funchal's Old Town and the historic fortress of São Tiago. Visit the gardens at Quinta do Palheiro, an estate belonging to the Blandy family. These gardens are famous for their variety of plants growing in a beautiful setting in the hills east of Funchal. Continue to the Museum of Sacred Art, the Botanical Garden, and the farmers' market (*Mercado dos Lavradores*), featuring Madeira's freshest fruits, vegetables, and flowers. Before departing, enjoy a tasting of Madeira's eponymous wine. B,L,D

FRIDAY, APRIL 12: AT SEA

Relax aboard *Sea Spirit* as she cruises east to Morocco. You may wish to enjoy a special screening of *Casablanca* in the lounge.

B,L,D

SATURDAY, APRIL 13: SAFI / MARRAKESH, MOROCCO

From Safi, travel east to the “red city” of Marrakesh. Marvel at the Kutubiyya minaret in the medina, the old walled section of town, and take a special tour of the Dar El Bacha Museum, the former home of the last pasha of Marrakesh. Admire the gardens and interiors at Bahia Palace, former home of a 19th-century Grand Vizier, and visit the Museum of Moroccan Arts. Later, stroll in the colorful Majorelle Gardens, created in the 1920s by a French painter. Tour the newly opened YSL Museum and the famous Djemaa el-Fna Square before returning to the ship to sail for Casablanca. Alternatively, stay overnight in Marrakesh and on April 14, enjoy a morning tour before traveling overland to join the ship in Casablanca in the afternoon.

B,L,D

SUNDAY, APRIL 14: CASABLANCA / RABAT

Arrive this morning in Casablanca and continue to the vast Hassan II Mosque to admire its dramatic architecture. Drive along the coast to Rabat, to choose a visit to the newly opened Mohammed VI Contemporary Art Museum or the Archaeological Museum, offering an overview of Morocco’s history. Later explore the Kasbah des Oudaias, in the oldest part of the city, with sweeping views of the ocean. Before returning to the ship in Casablanca, visit the Jewish Museum and meet with the director.

B,L,D

MONDAY, APRIL 15: GIBRALTAR, UNITED KINGDOM

Be on deck during lunch as the ship passes through the Strait of Gibraltar, known in antiquity as the Pillars of Hercules. At the top of the Rock of Gibraltar, visit Saint Michael’s Cave, the Upper Galleries, and the Gibraltar Museum. Other sites include Nelson’s Anchorage and the nature reserve, home to Gibraltar’s famed tailless monkeys, the Barbary macaques. Tonight *Sea Spirit* sails to Spain.

B,L,D

TUESDAY, APRIL 16: CADIZ, SPAIN / SEVILLE

From Cádiz travel to Seville, whose varied heritage is reflected in its delightful Spanish-Moorish architecture. Visit the UNESCO-recognized Gothic cathedral and view Giralda Tower, formerly a minaret that was modeled on the Kutubiyya minaret in Marrakesh. Continue to the Alcázar, the longtime palace of the Spanish kings, and the nearby Murillo Garden. After lunch, enjoy time at leisure to explore the lively Santa Cruz neighborhood or opt to visit Casa de Pilatos and the Palacio de las Dueñas. Later drive to Jerez de la Frontera, a city known for its sherry production. Before returning to the ship in Cádiz, marvel at the frescoes by Francisco de Goya in the underground Oratorio de la Santa Cueva.

B,L,D

WEDNESDAY, APRIL 17: PORTIMÃO / SAGRES / LAGOS, PORTUGAL

Step back in time to the 15th century, when Portugal launched the Age of Discoveries. From Portimão, drive to Sagres, home of Prince Henry the Navigator and the location of his famous school of navigation. Following lunch, continue to Lagos, the last port from which the *caravelas* set off for their voyages. Visit the Governor’s Castle, the Regional Museum, and the evocative Slaves’ Market before returning to the ship.

B,L,D

THURSDAY, APRIL 18: LISBON, PORTUGAL / DISEMBARK

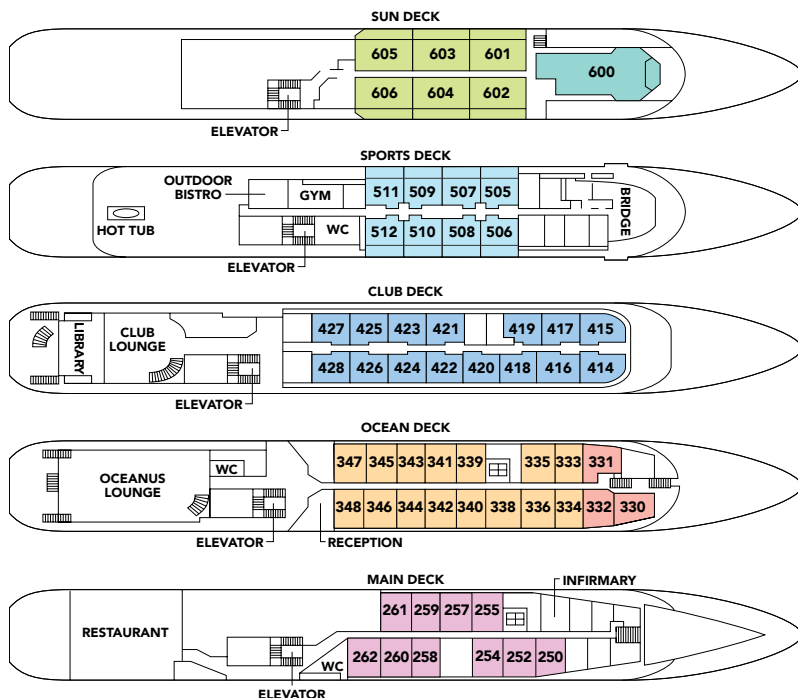
Disembark early this morning and transfer to the airport for flights home.

B

Optional postlude in Lisbon is offered from April 18–20, 2019.

This itinerary is subject to change at the discretion of Royal Oak Foundation and Arrangements Abroad. For complete details, please carefully read the terms and conditions at www.arrangementsabroad.com/terms.

SEA SPIRIT



Built in 1991, the intimate M.V. *Sea Spirit* underwent a total refurbishment of passenger accommodations in 2017. Her 54 suites range in size from 215 to 463 square feet and feature a seating area. Guests enjoy single seating in the restaurant, a well-stocked library, and generous outdoor deck space. There are two multipurpose lounges for educational programs and entertainment ■

CRUISE RATES (Per Person)

Book by August 31, 2018 and take \$1,000 off the rates below

Cabin Categories	Cabin Numbers	Double Rates	Single Rates
Main Deck Suites Main Deck; approx. 247 sq. ft.; twin or queen-sized bed; portholes	250-255, 257-262	\$9,999	\$11,999
Comfort Suites Ocean Deck; approx. 226 sq. ft.; twin or queen-sized bed; picture window	330-332	\$10,999	\$16,499
Classic Suites Ocean Deck; approx. 226 sq. ft.; twin or queen-sized bed; picture window	333-336, 338-348	\$11,999	\$17,999
Superior Suites Club Deck; approx. 215 sq. ft.; twin or queen-sized bed; picture window	414-428	\$12,999	\$19,499
Deluxe Suites Sports Deck; approx. 258 sq. ft.; twin or queen-sized bed; private balcony	505-512	\$14,999	Inquire
Premium Suites Sun Deck; approx. 322 sq. ft.; twin or queen-sized bed; private balcony	601-606	\$16,999	Inquire
Owner's Suite Sun Deck; approx. 463 sq. ft.; king-sized bed; sofa bed; private deck above bridge	600	\$19,999	Inquire

RATES INCLUDE

- Eleven nights cabin accommodations aboard *Sea Spirit*
- One night in Tenerife at Hotel Botánico
- Meals as indicated in the itinerary (B=Breakfast, L=Lunch, R=Reception, D=Dinner); bottled water and coffee/tea with all meals; wine with lunches and dinners
- Airport/pier/airport group transfers for all participants on suggested flights
- Enrichment program of lectures and special events
- Escorted sightseeing, transportation, and entrance fees for all included visits
- Gratuities to local guides and drivers; customary shipboard gratuities
- Taxes, service, and portorage charges

NOT INCLUDED IN RATES International airfare; passport fees; meals not specified; alcoholic beverages other than as noted in inclusions; personal items and expenses; excess baggage; optional Lisbon postlude; Marrakesh excursion (\$500 per person); airport transfers other than for those on suggested flights; trip insurance; any other items not specifically mentioned as included.



**THE ROYAL OAK FOUNDATION
CROSSROADS OF CULTURES • APRIL 5–18, 2019
RESERVATION FORM**

To reserve a place, please contact Arrangements Abroad at phone: 212-514-8921 or 800-221-1944, or fax: 212-344-7493; or complete this form with your deposit of \$1,000 per person (of which \$500 is non-refundable for administrative fees), payable to *Arrangements Abroad*. Mail to: Arrangements Abroad, 1040 Avenue of the Americas, 23rd floor, New York, NY 10018-3721.

Name(s) in full as on passport(s). Please print.

Address

City State Zip

Telephone (home) (business)

Fax E-mail

ACCOMMODATIONS

Sea Spirit cabin preference (1) _____ (2) _____

I wish to share a cabin with _____

OPTIONAL PRELUDE

I/We wish to join the optional prelude in Lisbon

Hotel Room Preference One bed Two beds Single

FORM OF PAYMENT

Enclosed is my check (payable to *Arrangements Abroad*) Debit card Credit card

Name on debit/credit card

Debit/credit card number

3- or 4-digit security code Expiration date

I/We confirm that I/we have carefully read and agree to the *Terms & Conditions* of this Program (see www.arrangementsabroad.com/terms to review or call for a copy). I/We agree to full payment 120 days prior to departure. Each participant must sign below.

Signature (required) Date

Signature (required) Date

Crossroads of Cultures

Canary Islands, Morocco & Iberia Aboard Sea Spirit

April 5-18, 2019



THE ROYAL OAK FOUNDATION
20 WEST 44TH STREET, SUITE 606
NEW YORK, NY 10036-6603

PRSRFT STD
U.S. POSTAGE
PAID
SAN RAMON CA
PERMIT #79

B_19SSPTFN0406_ROF

Reserve by August 31, 2018 for an Early Booking Incentive of \$1,000 per person

